

## Standard Equipment/Optional Equipment

### Standard Equipment

Long tiller with low mounting point  
 Fibre-glass reinforced tiller and tiller head (Grivory®)  
 Exxtral® motor and battery cover  
 Creep speed control (L12AS)  
 Proportional speed control (L12AS)  
 End-of-stroke resistance  
 Storage compartments  
 OptiLift® proportional lift system  
 Hand protection at rear of mast (polycarbonate or steel mesh)  
 Multi-function display with hourmeter including scheduled maintenance, fault code and battery discharge indicator  
 Key switch or LFM Go (PIN-code access)  
 Adjustable straddle legs (900 / 1200 / 1350 mm)

AC motor  
 Linde LAC controller  
 CAN-bus architecture  
 Electromagnetic brake  
 Automatic parking brake  
 Cushion rubber drive wheel  
 Single polyurethane load wheels  
 Fork carriage ISO 2B 800 mm  
 Built-in or built-out fork carriage  
 Protection to -10°C  
 Vertical 2 PzS battery change  
 Horn  
 Clipboard

### Optional Equipment

Drive wheels: polyurethane, wet grip, non marking cushion, treaded cushion  
 Load wheels: Tandem polyurethane  
 Alternative fork carriages ISO 2B  
 Alternative ISO 2B forks lengths (1000/1100 mm)  
 Fleet management, Basic Modules: LFM Access Control PIN  
 Fleet management, Add-on Modules: LFM Usage Analysis, LFM Impact sensor

Creep speed control (L10AS)  
 Proportional speed control (L10AS)  
 Cold store protection to -35°C  
 Automatic battery watering system  
 Built-in charger  
 High frequency charger  
 Other options available on request



Electric Straddle Stacker  
 Capacity 1000 - 1200 kg  
 L10AS, L12AS

Series 1172

### Safety

The hand guards of the off-centred tiller head effectively shield hands and keep the operator safely within the truck's contours with excellent visibility through the mast. The long tiller mounted low down on the chassis ensures ample safety clearance between operator and truck.

### Performance

Straddle legs width is adjustable for more flexibility in the warehouse. The OptiLift® mast control provides fully proportional lifting as well as smooth and quiet operation. The combination of a new AC motor and Linde LAC digital control makes these pallet stackers highly efficient. Operating parameters can be adjusted to match any application.

### Comfort

All controls on the tiller can be easily operated by either hand. A Creep speed button offers utmost manoeuvrability in confined areas. Proportional speed automatically alters traction speed in relation to the truck/operator distance. Finished in tactile materials, these stackers deliver accurate load handling for better productivity.

### Reliability

Despite their visual appeal, these pallet stackers are rugged and durable. The mast channels are made from high grade rolled steel sections for strength and durability. Strong and long-lasting Exxtral® motor and battery cover protect the technical compartment from outside shocks.

### Service

It is not just about the truck in operation: a maintenance-free AC motor maximises uptime reducing operating costs. All truck data is immediately and easily accessible to the service engineer via CAN-bus architecture. Fast, easy access to all internal components ensures service tasks are completed with a minimum of delay.

## Features

### Steering system

- Proportional speed control varies truck speed automatically in relation to the tiller angle for safe, comfortable and productive operation
- A Creep speed button ensures high manoeuvrability in confined areas when operating at low speeds with the tiller in upright position
- End-of-stroke resistance on the tiller avoids accidental, abrupt braking
- Soft tiller fold-back slows down the tiller when returning into upright position, avoiding the tiller snapping on the motor cover

### AC motor & Booster effect

- Powerful, smooth-running 1.2 kW AC motor (at 100% output)
- Traction speed adjustable up to 6 km/h, laden or unladen
- Booster effect provides higher torque when additional power is needed
- No roll-back on hill starts



### Tiller & Tiller head

- Off-set, ergonomic Grivory tiller head ensures safety and visibility
- Long tiller with low mounting point provides safety clearance between operator and chassis
- Wrap-around hand protection
- Comfortable controls, operable with either hand and gloves



### Lifting system

- OptiLift® mast control provides accurate, fully proportional lifting as well as smooth and quiet operation
- Soft landing of the forks protects load when lowering

### Braking system

- Highly efficient electromagnetic brake applied by moving tiller to fully up or down position
- Automatic braking on releasing traction butterfly or by reversing direction
- Truck slows down before coming to a stop, remaining under total control at all times



### Chassis

- Straddle legs can be adjusted at 900, 1200, 1350 mm
- Compact, rounded shape avoids snagging
- Highly resistant, robust steel construction
- Low chassis skirt protects operator's feet

### Working station & Display

- Wide, deep storage compartment for shrink wrap, pens, markers etc.
- Strong Exxtral® motor and battery cover last the lifetime of the truck
- Multi-function display as standard with hourmeter including scheduled maintenance, fault code and battery discharge indicator



### Maintenance/CAN-bus architecture

- Zero maintenance, moisture and dust-proof AC motor
- CAN-bus architecture enables fast, easy access to all truck data
- Individually adjustable parameters via diagnostic plug
- Rapid and convenient access to main components via front service panel

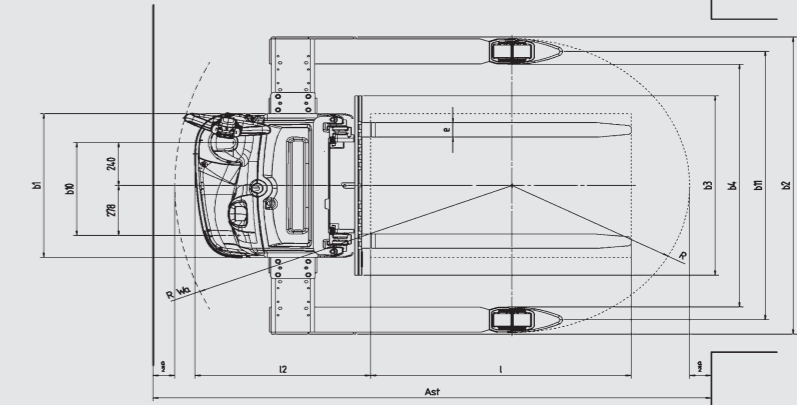
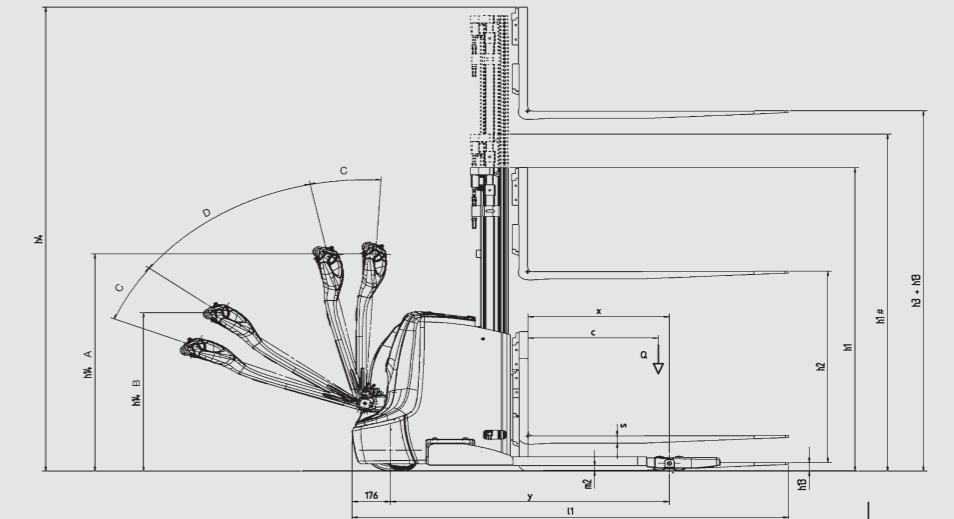
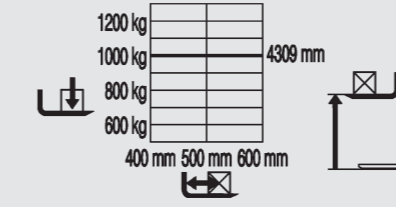
# Technical Data according to VDI 2198

Characteristics			LINDE	LINDE	LINDE	LINDE
1.1	Manufacturer		LINDE	LINDE	LINDE	LINDE
1.2	Model designation		<b>L10AS 75x70<sup>1)</sup></b>	<b>L10AS 120x50</b>	<b>L12AS 75x70<sup>1)</sup></b>	<b>L12AS 120x50</b>
1.2a	Series		1172	1172	1172	1172
1.3	Power unit		Battery	Battery	Battery	Battery
1.4	Operation		Pedestrian	Pedestrian	Pedestrian	Pedestrian
1.5	Load capacity	Q (t)	1.0	1.0	1.2	1.2
1.6	Load centre	c (mm)	600	600	600	600
1.8	Axle centre to fork face	x (mm)	650	650	650	650
1.9	Wheelbase	y (mm)	1284	1284	1284	1284
Wheels/Tyres						
3.1	Tyres rubber, SE, pneumatic, polyurethane		V+P/P <sup>2)</sup>	V+P/P <sup>2)</sup>	V+P/P <sup>2)</sup>	V+P/P <sup>2)</sup>
3.2	Tyre size, front		Ø 230 x 75	Ø 230 x 75	Ø 230 x 75	Ø 230 x 75
3.3	Tyre size, rear		4x Ø 85 x 50	2x Ø 85 x 100	4x Ø 85 x 50	2x Ø 85 x 100
3.4	Auxiliary wheels (dimensions)		Ø 140 x 54	Ø 140 x 54	Ø 140 x 54	Ø 140 x 54
3.5	Wheels, number front/rear (x = driven)		1x + 1 / 2	1x + 1 / 2	1x + 1 / 2	1x + 1 / 2
3.6	Track width, front	b10 (mm)	518	518	518	518
3.7	Track width, rear	b11 (mm)	1275	1044 / 1344 / 1494	1275	1044 / 1344 / 1494
Dimensions						
4.9	Height of tiller arm in operating position, min/max	h14 (mm)	650 / 1190	650 / 1190	650 / 1190	650 / 1190
4.15	Height, lowered	h13 (mm)	48	48	48	48
4.19	Overall length	l1 (mm)	2010	2010	2010	2010
4.20	Length to fork face	l2 (mm)	810	810	810	810
4.21	Overall width	b1/b2 (mm)	800 / 1370	800 / 1204-1504-1654	800 / 1370	800 / 1204-1504-1654
4.22	Fork dimensions	s/e/l (mm)	40 x 80 x 900-1000-1200	40 x 80 x 900-1000-1200	40 x 80 x 900-1000-1200	40 x 80 x 900-1000-1200
4.23	Fork carriage to ISO 2328, class/type A, B		2B	2B	2B	2B
4.24	Width of fork carriage	b3 (mm)	800 / 1000 / 1100	800 / 1000 / 1100	800 / 1000 / 1100	800 / 1000 / 1100
4.26	Width between reach legs	b4 (mm)	1200	900 / 1200 / 1350	1200	900 / 1200 / 1350
4.32	Ground clearance, centre of wheelbase	m2 (mm)	30	30	30	30
4.33	Aisle width with pallet 1000 x 1200 across forks	Ast (mm)	2449 <sup>3)</sup>	2449 / 2498 / 2573 <sup>3)</sup>	2449 <sup>3)</sup>	2449 / 2498 / 2573 <sup>3)</sup>
4.34	Aisle width with pallet 800 x 1200 along forks	Ast (mm)	2434 <sup>3)</sup>	2434 / 2498 / 2573 <sup>3)</sup>	2434 <sup>3)</sup>	2434 / 2498 / 2573 <sup>3)</sup>
4.35	Turning radius	Wa (mm)	1554	1554	1554	1554
Performance						
5.1	Travel speed, with/without load	(km/h)	5.9 / 6	5.9 / 6	5.8 / 6	5.8 / 6
5.2	Lifting speed, with/without load	(m/s)	0.1 / 0.21	0.1 / 0.21	0.12 / 0.26	0.12 / 0.26
5.3	Lowering speed, with/without load	(m/s)	0.35 / 0.3	0.35 / 0.3	0.35 / 0.3	0.35 / 0.3
5.8	Maximum climbing ability, with/without load	(%)	5.0 / 10.0	5.0 / 10.0	5.0 / 10.0	5.0 / 10.0
5.10	Service brake		Electro-magnetic	Electro-magnetic	Electro-magnetic	Electro-magnetic
Drive						
6.1	Drive motor, 60 minute rating	(kW)	1.2	1.2	1.2	1.2
6.2	Lift motor, rating at S3 15%	(kW)	1	1	2.5	2.5
6.3	Battery according to DIN 43531/35/36 A,B,C,no		no	no	no	no
6.4	Battery voltage/rated capacity (5h)	(V/Ah)	24 / 225	24 / 250	24 / 225	24 / 250
6.5	Battery weight (± 5%)	(kg)	200	200	200	200
6.6	Power consumption according to VDI cycle	(kWh/h)	1,19	1,25	1,44	1,5
8.1	Type of drive control		LAC	LAC	LAC	LAC

1) Australian load arms  
2) Solid rubber + polyurethane / polyurethane

3) Including a 200 mm (min.) operating aisle clearance.

## Load Capacity Diagrams



Masts (L10/L12) (in mm)		1462 E	1912 E	2024 S	2424 S	2924 S	3324 S	3824 S	4224 S
Lift	<b>h3</b>	1462	1912	2024	2424	2924	3324	3824	4224
Lift + fork height	<b>h3+h13*</b>	1547	1997	2109	2509	3009	4309	3909	4309
Height lowered	<b>h1*</b>	1940	2390	1490	1690	1940	2140	2390	2590
Height raised	<b>h4</b>	1943	2393	2502	2902	3402	3802	4302	4702
Free lift	<b>h2</b>	1462	1912	150	150	150	150	150	150

Masts (L10/L12) (in mm)		2024 D	2424 D	2924 D	3324 D	3824 D	4224 D	3636 T	4386 T
Lift	<b>h3</b>	2024	2424	2924	3324	3824	4224	3636	4386
Lift + fork height	<b>h3+h13*</b>	2109	2509	3009	3409	3909	4409	3721	4471
Height lowered	<b>h1*</b>	1490	1690	1940	2140	2390	2590	1690	1940
Height raised	<b>h4</b>	2502	2902	3402	3802	4302	4702	4118	4868
Free lift	<b>h2</b>	1012	1212	1462	1662	1912	2112	1212	1462

\* Initial lift h5 = 130 mm  
E=Simplex mast, S=Standard mast, D=Duplex mast, T=Triplex mast