



Order Pickers

N16 Li

Capacity 0.8 t | Series 1115

PB

ION

H2

Manoeuvrable picking assistant

- Operator's platform at front of truck provides a clear view when changing aisles
- Short wheelbase aids manoeuvrability in narrow warehouse aisles
- Lifting forks enable order picking at ergonomic height
- Fully suspended operator's platform reduces vibrations and shocks while operating

TECHNICAL DATA (according to VDI 2198)

Characteristics	1.1	Manufacturer (abbreviation)		Linde MH
	1.2	Manufacturer's type designation		N16 Li
	1.2a	Series		1115-00
	1.3	Drive		Battery
	1.4	Operation		Order picker
	1.5	Rated capacity/rated load	Q (t)	0.8/1.6 ¹⁾
	1.6	Load centre distance	c (mm)	600
	1.8	Load distance, centre of drive axle to fork	x (mm)	875/945 ²⁾³⁾
	1.9	Wheelbase	y (mm)	1476/1546 ²⁾³⁾⁴⁾
Weight	2.1	Service weight	kg	1282 ⁵⁾
	2.2	Axle loading, laden front/rear	kg	1328/1554 ⁵⁾
	2.3	Axle loading, unladen front/rear	kg	1041/241 ⁵⁾
Tyres/chassis	3.1	Tyres: solid rubber, superelastic, pneumatic, polyurethane		R+P/P; P+P/P
	3.2	Tyre size, front		Ø 254 × 102
	3.3	Tyre size, rear		Ø 85 × 85 (Ø 85 × 60) ⁶⁾
	3.4	Additional wheels (dimensions)		2x Ø 140 × 50
	3.5	Wheels, number front/rear (x = driven wheels)		1x + 1/2 (1x + 1/4) ⁶⁾
	3.6	Tread, front	b10 (mm)	491 ³⁾
	3.7	Tread, rear	b11 (mm)	380 ³⁾
Dimensions	4.2	Mast height, lowered	h1 (mm)	870 ³⁾
	4.3	Free lift	h2 (mm)	550 ³⁾
	4.4	Lift	h3 (mm)	550 ³⁾
	4.5	Mast height, extended	h4 (mm)	870 ³⁾
	4.6	Initial lift	h5 (mm)	115 ⁷⁾
	4.8	Seat height relating to SIP/stand height	h7 (mm)	867/1000 ³⁾⁸⁾⁹⁾
	4.10	Height of wheel arms	h8 (mm)	80 ¹⁰⁾
	4.15	Height, lowered	h13 (mm)	86 ¹⁰⁾
	4.19	Overall length	l1 (mm)	2655 ³⁾⁴⁾
	4.20	Length to fork face	l2 (mm)	1505 ³⁾⁴⁾
	4.21	Overall width	b1/b2 (mm)	800 ³⁾
	4.22	Fork dimensions DIN ISO 2331	s/e/l (mm)	50/180/1150 ¹¹⁾
	4.23	Fork carriage ISO 2328, class/type A, B		no
	4.24	Fork carriage width	b3 (mm)	559 ³⁾
	4.25	Fork spread	b5 (mm)	560 ³⁾
	4.26	Distance between wheel arms/loading surfaces	b4 (mm)	255 (230) ³⁾¹²⁾
	4.31	Ground clearance, laden, below mast	m1 (mm)	20/135 ¹³⁾¹⁴⁾
4.32	Ground clearance, centre of wheelbase	m2 (mm)	20/135 ¹³⁾¹⁴⁾	
4.33	Load dimension b12 × l6	b12 × l6 (mm)	800 × 1200	
4.34	Aisle width predetermined load dimensions	Ast (mm)	3095 ¹⁵⁾¹⁶⁾	
4.34.1	Aisle width for pallets 1000 × 1200 crossways	Ast (mm)	3193 ¹⁵⁾¹⁶⁾	
4.35	Turning radius	Wa (mm)	2380/2450 ²⁾⁴⁾	
Performance	5.1	Travel speed, laden/unladen	km/h	10/12 ¹⁷⁾
	5.1.1	Travel speed, laden/unladen, backward	km/h	10/10 ¹⁷⁾
	5.2	Lifting speed, laden/unladen	m/s	0.16/0.32 (0.06/0.07) ³⁾¹⁸⁾
	5.3	Lowering speed, laden/unladen	m/s	0.17/0.19 (0.06/0.08) ³⁾¹⁸⁾
	5.8	Max. gradeability, laden/unladen	%	16.0/20.0
	5.9	Acceleration time, laden/unladen	s	5.6/4.9
	5.10	Service brake		Electric/hydraulic
Electric-engine	6.1	Drive motor rating S2 60 min	kW	3
	6.2	Lift motor rating at S3 15%	kW	2.2/5%
	6.3	Battery according to DIN 43531/35/36 A, B, C, no		43 535/3PzS ¹⁹⁾
	6.4	Battery voltage/nominal capacity K 5	(V)/(Ah) o. kWh	24/375
	6.5	Battery weight (± 5%)	kg	272/315 ³⁾⁸⁾
	6.6	Energy consumption according to DIN EN 16796	kWh/h	0.48
	6.7	Turnover output according to VDI 2198	t/h	118.4
	6.8	Turnover efficiency according to VDI 2198	t/kWh	73
Drive/lifting mechanism	8.1	Type of drive unit		LAC
Additional data	10.7	Sound pressure level LpAZ (at the operator's seat)	dB(A)	< 85

1) Pallet truck capacity: on the fork arms only; on the fork arms resting on the wheel arms in initial lift position

2) Forks upraised/lowered

3) (± 5 mm)

4) + 75 mm = 4 PzS side change

5) (± 10%)

6) Figures in parenthesis with tandem load wheels.

7) (0/-5 mm)

8) Min./max.

9) With optional operator's seat

10) (-0/+5 mm)

11) Load arms: 60(75)/125(150)/1115. Values in parantheses at the load arms tip

12) Values in parantheses at the load arms tip

13) Low/high position fork arms

14) (± 2 mm)

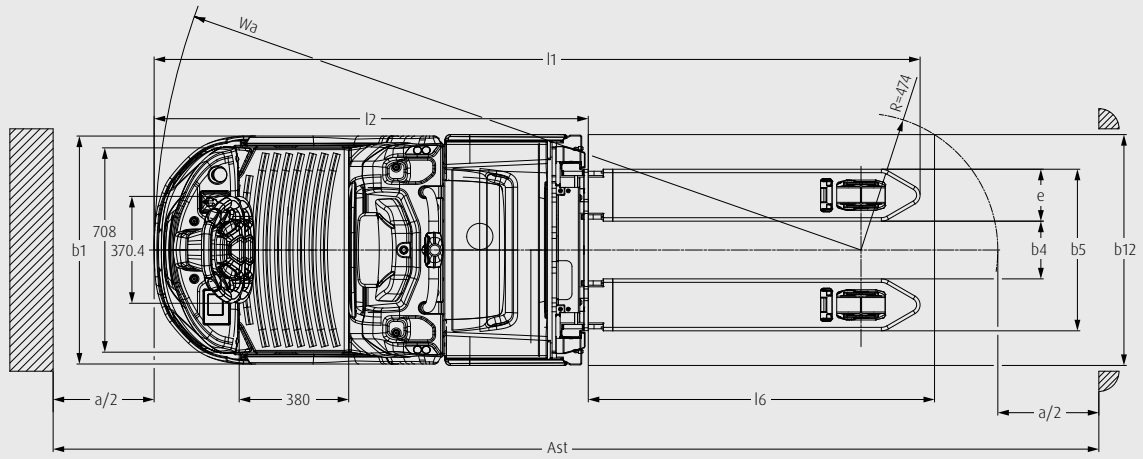
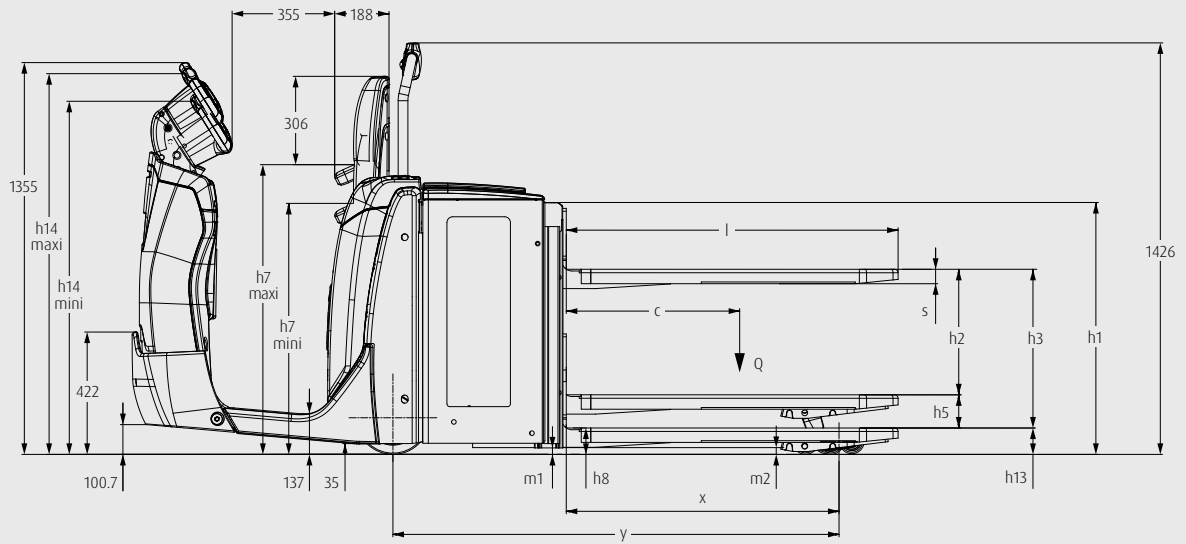
15) Including a 200 mm (min.) operating aisle clearance

16) Forks upraised

17) (± 5%)

18) Figures in parenthesis = initial lift

19) Lateral change



MAST TABLE

SIMPLEX MAST (in mm)

Lift	h3: 550	
Height measurements	h1: 870	h2: 550
	h4: 870	h5: 115
Manufacturer's type designation		
N16 Li	○	

○ Optional equipment

h1: Mast height, lowered

h2: Free lift

h3: Lift

h4: Mast height, extended

h5: Initial lift



STANDARD AND OPTIONAL EQUIPMENT

Manufacturer's type designation/equipment		N16 Li
Safety	Front cast steel bumper	●
	Front rubber protection (mounted on the cast steel bumper)	○
	Linde BlueSpot – visual warning of truck presence integrated in the front top cover	○
	Automatic speed reduction when cornering	●
	Front foot protection	○
	Mast soft landing (200 mm)	●
	Key switch	●
	Log in PIN code	○
Service	CAN bus technology	●
Digitalisation	Linde connect	○
	ac: access control PIN	○
	ac: access control RFID	○
	Data transmission Wifi	○
	Data transmission Online	○
	dt: crash detection	○
	an: usage analysis	○
	Bluetooth USB stick	○
	dt: trouble codes	○
Operation/load handling	Inching control (forward only or forward/backward)	○
	Rear initial lift and mast lift controls	●
	Low speed if initial lift lowered	●
	Initial lift electrical stop sensor	●
	Soft landing of forks	○
	Mast pressure sensor	●
	Load backrest 1290 mm	○
	Automatic fork lifting (up and down or up only)	○
	Side lift control buttons (up and down, located on both sides of the chassis)	○
Environment	Cold store -35°C (in/out)	○
Workplace	Fully suspended operator's compartment	●
	Height adjustable Linde Steering Wheel	○
	Knee protection	●
	Multifunction colour display: hour meter, battery discharge indicator, maintenance and internal fault code indication	●
	Fixed rounded backrest	●
	Height-adjustable backrest including folding seat	○
	Front bow	○
	Vertical central pole	○
	Support data terminal and power supply cable 24 V	○
	Support clipboard DIN A4 and support for scanner	○
	Shrink wrap pole and rear bin	○
Rear lower storage	○	
Attachment/forks	Fork carriage: 560 mm	●
	Fork length: 1150 mm	●
	Overhang: 188 mm	●
Axles and tyres	Drive wheel polyurethane	●
	Drive wheel cushion rubber, non marking and wet grip	○
	Single load wheels polyurethane	●
	Tandem load wheels polyurethane (greasable)	○
	Standard castor wheel	●
Drive and brake system	Power-assisted steering	●
	3 kW maintenance-free AC motor	●
	Electromagnetic braking system	●
	Battery compartment, side change 3 PzS (345 Ah/375 Ah), incl. ergonomic lever and metal rollers	●
	Battery compartment, side change 4 PzS (460 Ah/500 Ah), incl. ergonomic lever and metal rollers	○
	Battery compartment, Li-ION battery 4.5 kWh (205 Ah)/9.0 kWh (410 Ah) incl. side plug for opportunity charging	○
Li-ION 24 V charger	○	

● Standard equipment

○ Optional equipment

CHARACTERISTICS



Linde BlueSpot and front LED light

Safety

- Three independent braking systems react to both the environment and the load weight
- Electromagnetic service brake coupled to deadman switch and emergency button for maximum safety
- Hydraulically assisted brake boosts braking performance as load weight increases
- Automatic electric braking when traction control is released
- Options such as front LED and Linde BlueSpot maximise safety in the warehouse



Intuitive Linde Steering Wheel

Ergonomics

- Fully suspended operator's platform with low on/off access step
- Fork lift reduces back strain when order picking
- Optional inching controls allow easy short distance movement for the next pick
- Height-adjustable steering wheel with intuitive controls for easy operation
- Intuitive symbols on all controls aids fast familiarization



Autolift

Handling

- 3 kW three-phase AC motor for powerful acceleration to a top speed of 12 km/h
- Exceptional stability due to four-point contact with the ground
- Initial lift eases operation over ramps and uneven surfaces
- Multifunction display provides current charge status of truck battery
- Optional Autolift automatically lifts/lowers forks reducing operator movements
- Lead acid or Li-ION batteries available to suit application



Front cast steel bumper

Service

- 1000 operating hour service intervals
- Maintenance-free three-phase AC motors and self-adjusting brakes reduce service effort
- Service components readily accessible behind easily removed service panel
- Essential vehicle parameters can be checked or changed via a laptop
- Robust cast steel bumper at the front of the vehicle reduces collision damage

Presented by:

Subject to modification in the interest of progress. Illustrations and technical specifications could include options and are not binding for actual constructions. All dimensions subject to usual tolerances.



Linde Material Handling GmbH
Carl-von-Linde-Platz | 63743 Aschaffenburg | Germany
Phone + 49 6021 99 0 | Fax + 49 6021 99 1570
www.linde-mh.com | info@linde-mh.com

DS_N16Li_1115_en_B_0325